

## MD200 AC Drive

### Open loop, general purpose, compact drive

#### Features & Functions

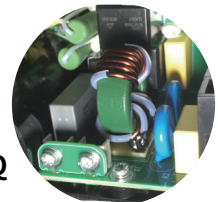
- Open loop V/F & Sensorless Vector Control
- Starting torque 150% at 3 Hz in SVC mode
- Modbus RTU or CANlink<sup>1</sup>
- Automatic torque boost
- Slip compensation
- Easy startup with simplified parameters
- 2 Independent S-ramps
- Flexible programmable I/Os
- Variable DC injection braking
- Comprehensive diagnostics
- Output frequency: 500 Hz
- Built-in dynamic braking unit

**NEW**

Wide operating voltage  
 Single-phase 200 to 240 Vac  
 0.4 to 2.2 kW  
 Three-phase 380 to 480 Vac  
 0.4 to 3.7 kW



IND.CONT.EQ



**NEW**

Internal EMC filter (Category C3)<sup>2</sup>

Complies with EN61800-3  
 Category C2  
 2<sup>nd</sup> Environment  
 (with external EMC filter)

**NEW**

PM motor control<sup>1</sup>

Operation in high ambient  
 temperatures  $\leq 50^{\circ}\text{C}$   
 Please note: If operating above 40 °C,  
 derating is required

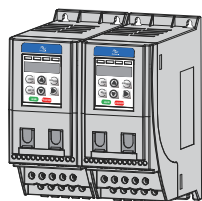
Enhanced reliability and  
 protection against humidity and  
 dust pollution with class 2 conformal  
 coating (resistant to 3C2 and 3S2  
 environments).

Onboard comms  
 Modbus RTU  
 (optional CANlink<sup>4</sup>)

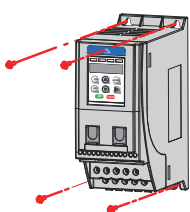
PC-Based  
 software:  
 simplified  
 start up &  
 backup<sup>3</sup>

**NEW**

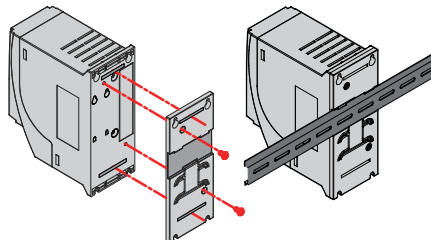
Flexible installation modes



Side-by-Side



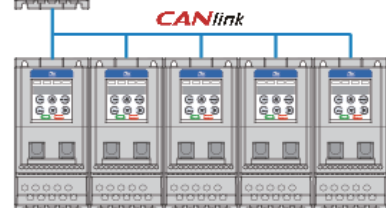
Wall Mounted



DIN rail mounted



CANlink speed sync.



Notes:

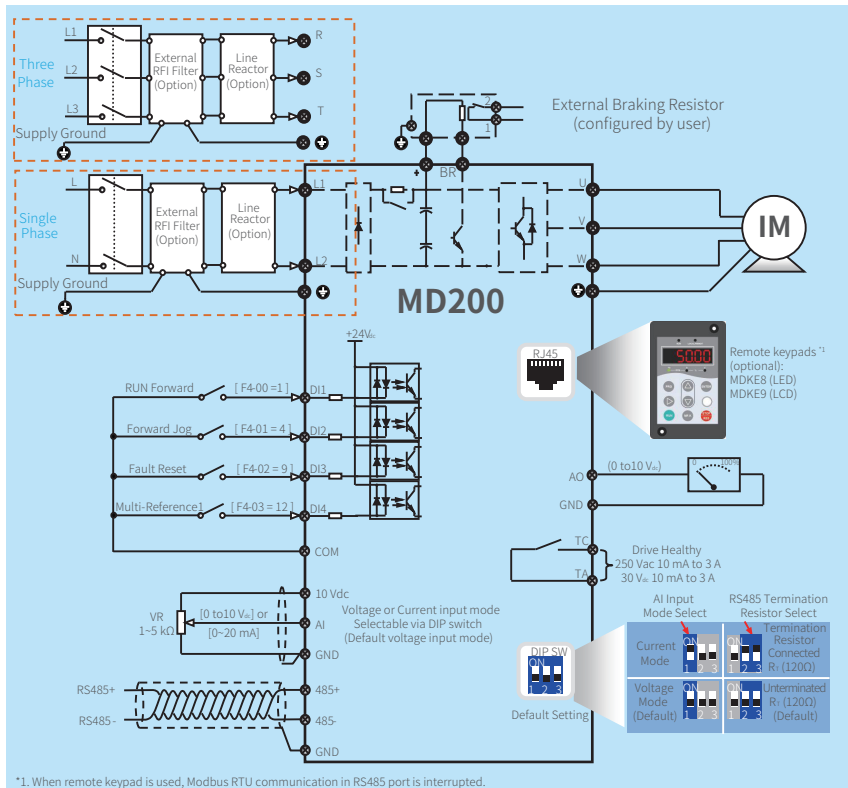
- \*1 Special versions. Contact your local Inovance Representative.
- \*2 Only single phase supply models.
- \*3 PC comms kit is required (optional accessory).
- \*4 CANlink is Inovance's proprietary serial comms.

# General Specifications

Voltage Class		Single-phase 220 Vac				Three-phase 400 Vac					
Drive Model: MD200xxxxB-INT		S0.4B	S0.75B	S1.5B	S2.2B	T0.4B	T0.75B	T1.5B	T2.2B	T3.7B	
Dimension	Height Width Depth	[H1]: 180 mm [W]: 75 mm [D]: 145 mm				[H1]: 180 mm [W]: 75 mm [D]: 145 mm					
Drive Input	Rated input voltage	Single-phase 200 to 240 Vac -15% to +10%				Three-phase 380 to 480 Vac -15% to +10%					
	Rated input current [A]	6.5	11.0	18.0	27.0	2.6	4.5	5.5	6.5	11	
	Power capacity [kVA]	1.7	3.0	4.8	7.1	1	1.5	3.0	4.0	5.9	
	Rated input frequency	50/60 Hz ±5% (47.5 to 63 Hz)									
Drive Output	Applicable motor	[kW]	0.4	0.75	1.5	2.2	0.4	0.75	1.5	2.2	3.7
		[HP]	0.5	1	2	3	0.5	1	2	3	5
	Output Current [A]*4	2.6	4.6	8	11	1.8	3.4	4.8	5.5	9.5	
	Overload Capacity	150% for 60 s & 180% for 3 s									
	Max. output voltage	200 to 240 Vac (proportional to input voltage)					380 to 480 Vac (proportional to input voltage)				
	Max. output frequency	500 Hz									
Braking Resistor	Recommended power [kW]	80	80	100	100	150	150	250	300	400	
	Recommended resistance [Ω]	≥200	≥150	≥100	≥70	≥300	≥300	≥220	≥200	≥130	
Enclosure*5		IP20									

\*4 Rated output current at a carrier frequency of 6 kHz.  
\*5 All units are fan cooled.

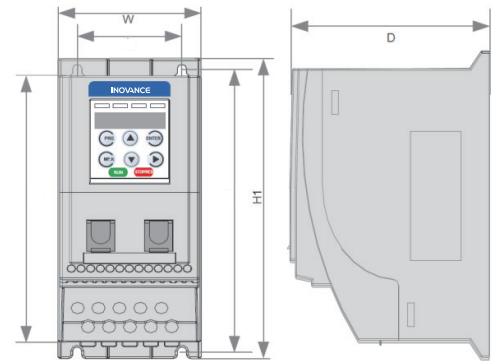
# General Connection Diagram



\*1. When remote keypad is used, Modbus RTU communication in RS485 port is interrupted.

For more information, please contact our local offices.

# Dimensions



# Remote Keypads (optional)



**Model:** MDKE9  
**Dimensions:** 123 H x 72 W x 26.4 D (mm)  
**IP Rating:** IP20  
**Matching cable model:** MDCAB 3.0 m (included)



**Model:** MDKE8 (LED type)  
**Dimensions:** 116 H x 76 W x 40 D (mm)  
**IP Rating:** IP20  
**Matching cable model:** MDCAB 3.0 m (included)  
Potentiometer (single turn)

**INOVANCE**  
Forward, Always Progressing

**Germany-Stuttgart**  
Tel: +49 (0) 7144 8990  
sales.de@inovance.eu  
www.inovance.eu

**Italy-Milano**  
Tel: +39 (0) 2268 22318  
sales.it@inovance.eu

**France-Bordeaux**  
Tel: +33 (0) 5594 01050  
sales.fr@inovance.eu

**Turkey-Istanbul**  
Tel: +90 (0) 21 6706 1789  
info.turkey@inovata-automation.com

**India**  
Head Office Chennai  
Tel: +91 (0) 44 4380 0201  
Ahmedabad Tel: +91 (0) 79 4003 4274  
Mumbai Tel: +91 (0) 22 4971 5883  
Delhi Tel: +91 (0) 11 4165 4524  
Sales Network in Kolkata, Bengaluru,  
Coimbatore, Hyderabad, Pune  
info.inovaindia@inovata-automation.com

**Hong Kong SAR (export office)**  
Tel: +852 2751 6080  
info@inovata-automation.com

**South Korea-Seoul**  
Tel: +82 (0)2-3489-8850  
info@inovata-automation.com