

AM600 Motion Controller

High performance controller with EtherCAT interface and PLC functionality

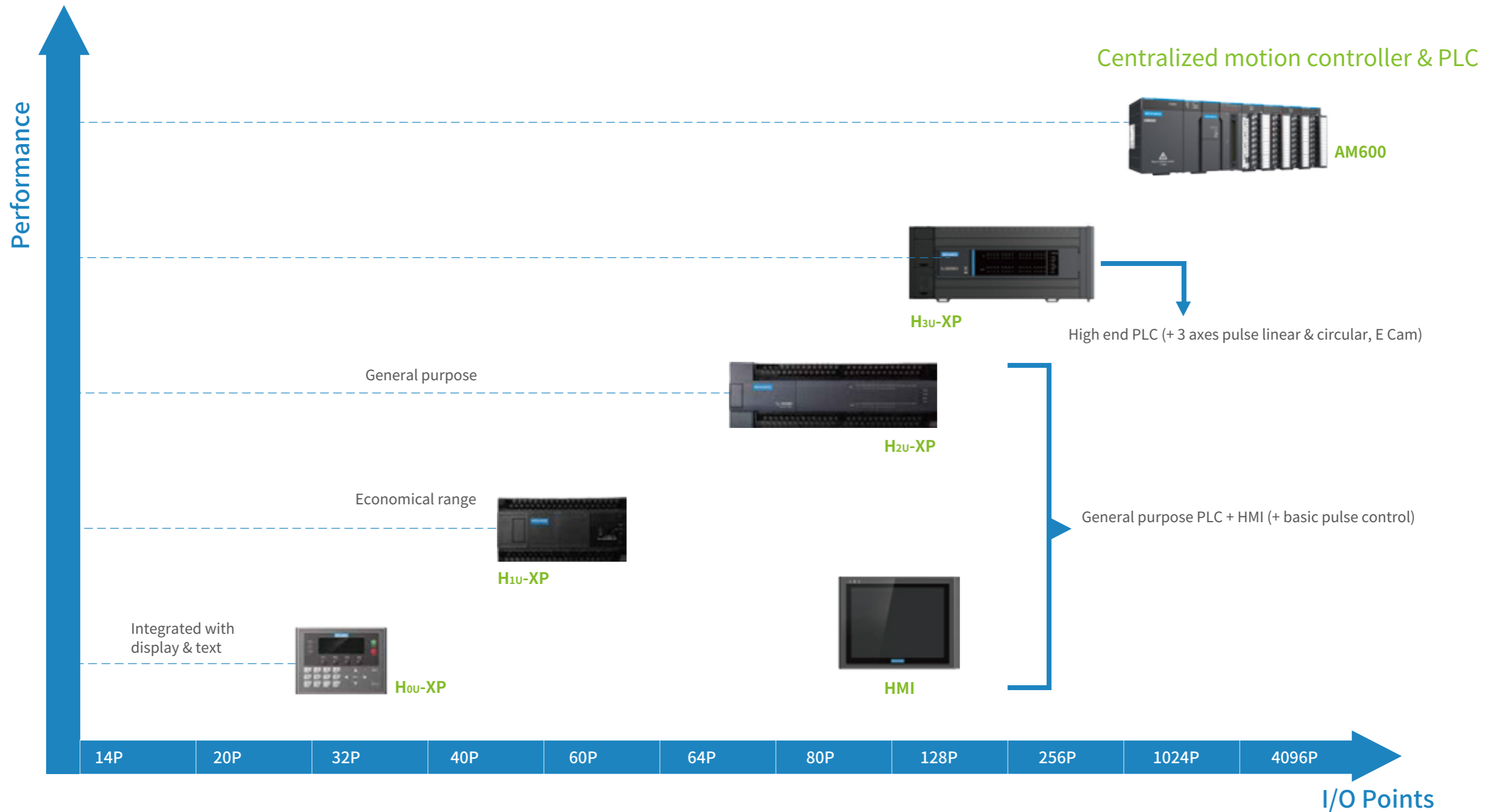
- Can be easily expanded to meet customer requirements
- Able to control up to 32 axes
- PLCopen library available for motion control functionality
- InoProShop programming environment (IEC 61131-3)

EtherCAT[®]



AM600 hardware overview

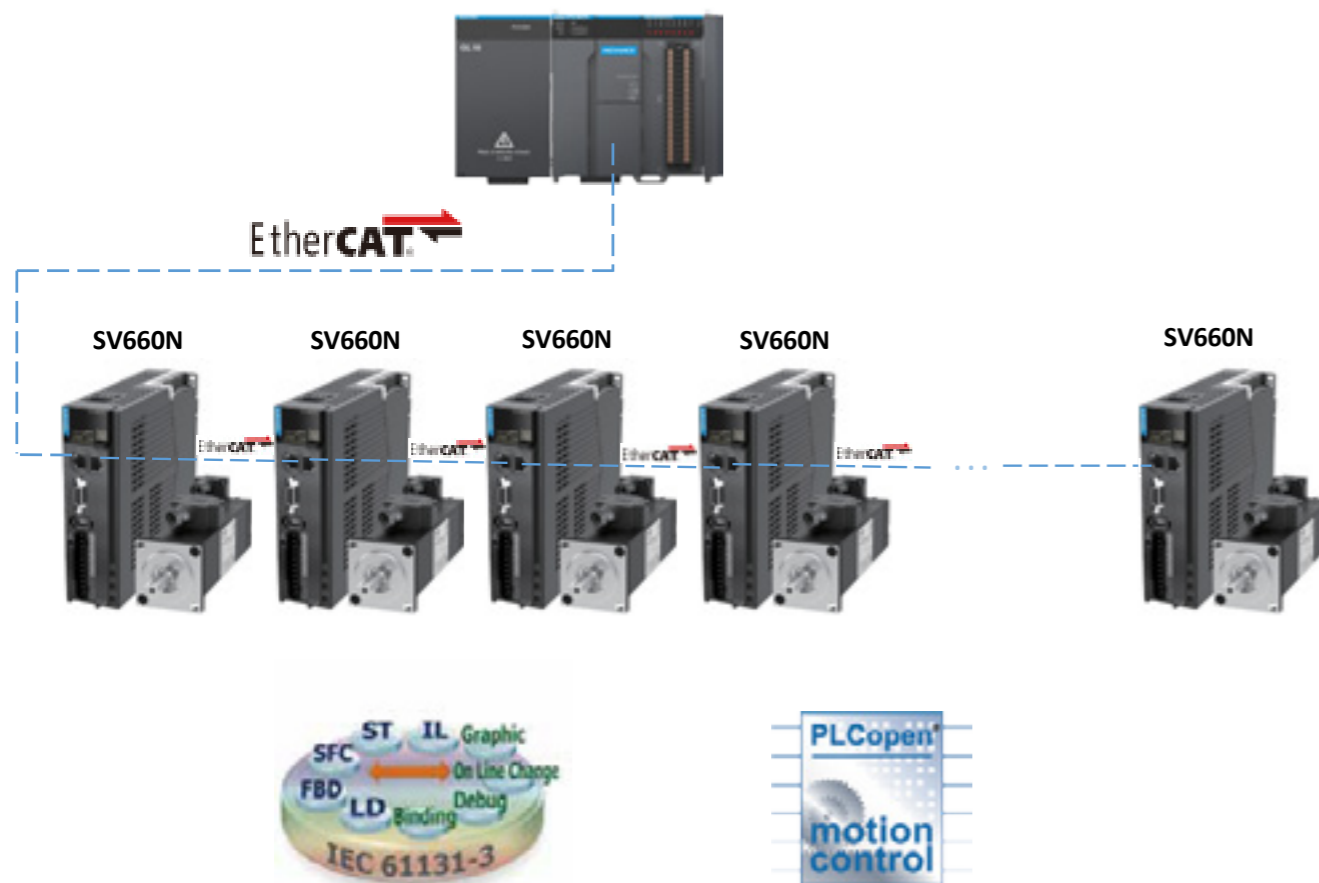
Inovance PLC range



AM600 motion controller overview

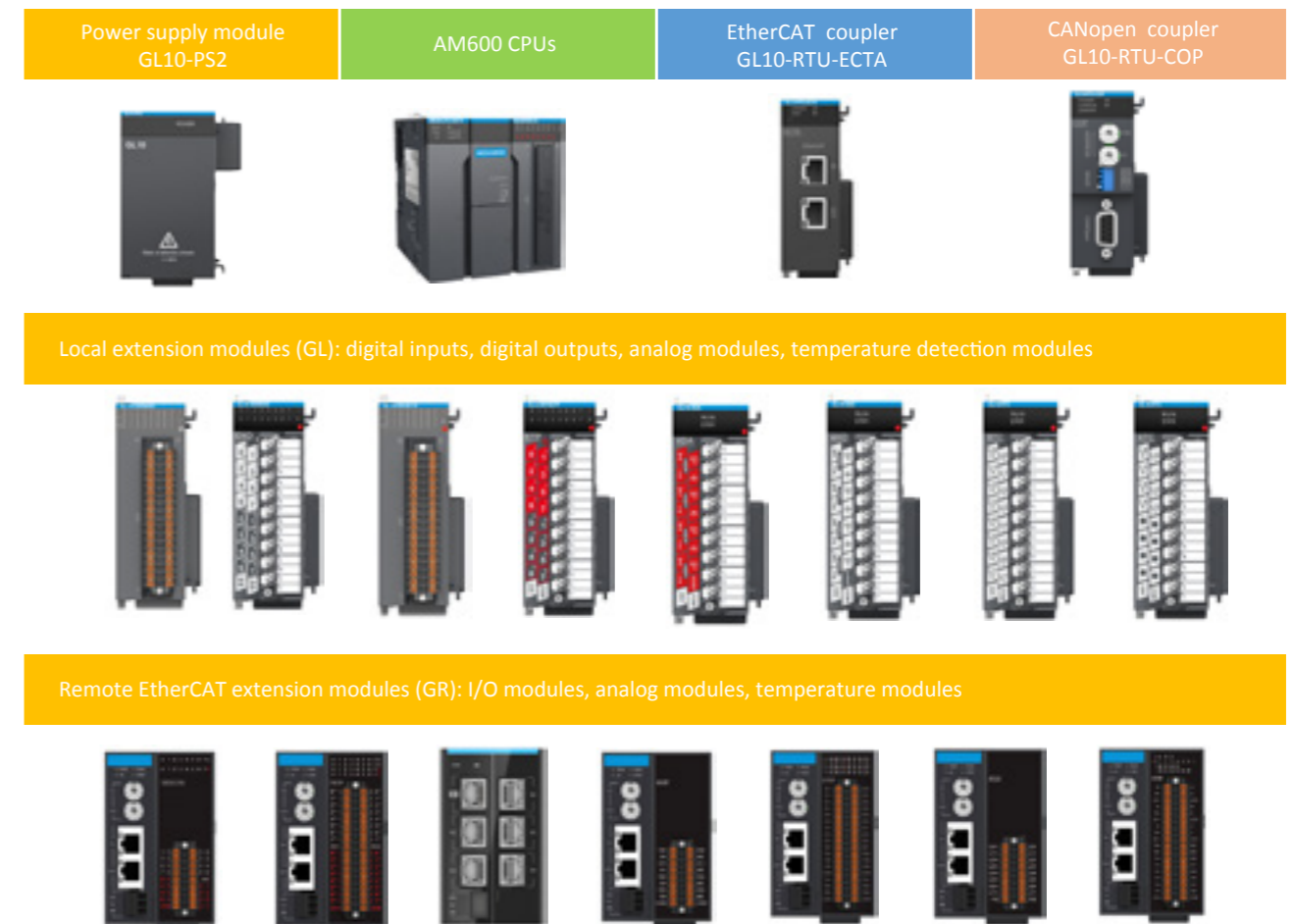
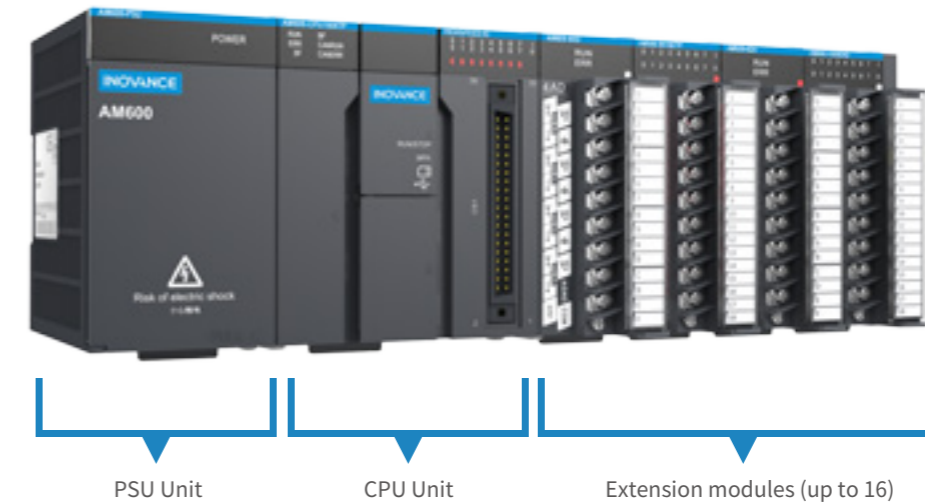
- The EtherCAT bus of the AM600 main module supports 32 servo drives with a refresh time of 4 ms (for PTP positioning)
- It can realize CAM control of up to 16 axes and offers a synchronization period of 2 ms

AM600 EtherCAT topology



AM600 is a centralized motion controller with built-in PLC functionality. It has a standard EtherCAT port to control up to 32 axes with point-to-point positioning. A PLCopen library for single axis and interpolation movement is a standard feature. Every axis can be programmed to move using linear, circular or electronic cams (up to eight simultaneously). IEC 61131-3 programming is part of the InoProShop software tool. Additional modules can be added to the main CPU module to be able to manage different I/O input types. CANopen functionality and an Ethernet port also come as standard. AM600 also supports EtherCAT connections to third party devices.

AM600 system setup



AM600 features & functions

- Up to 32 axes for point-to-point positioning (up to eight for interpolation motion)
- ARM-Cortex A8 1 GHz
- Operates with mathematical precision – IEEE 754 double
- Built-in EtherCAT port
- Up to 16 additional I/O modules for every CPU
- Linear, circular and spherical interpolation (up to eight axes)
- CAM functionality
- Built-in Ethernet interface
- Modbus TCP/IP
- CANopen/Modbus RTU interface
- IEC 61131-3 programming languages
- Encoder input
- Simulated encoder output
- Multitasking functionality
- RoHS, CE certified

- EtherCAT CiA 402 motion profile supported
 - CSP
 - CSV
 - CST
 - HM
 - PP
 - PV
 - PT
- PLCopen functionality
 - PTP
 - Interpolated motion
 - CAM generator
 - Homing function
- Up to 125 slave stations can be added
- InoProShop software with IEC61131-3 programming languages

PLCopen library for point-to-point positioning and interpolation

InoProShop software tools
Based on IEC 61131-3



EtherCAT slave extension modules for additional I/Os

EtherCAT CiA 402 profile **EtherCAT**



DIN rail mounting



PC-based software
InoProShop

EtherCAT
CANopen



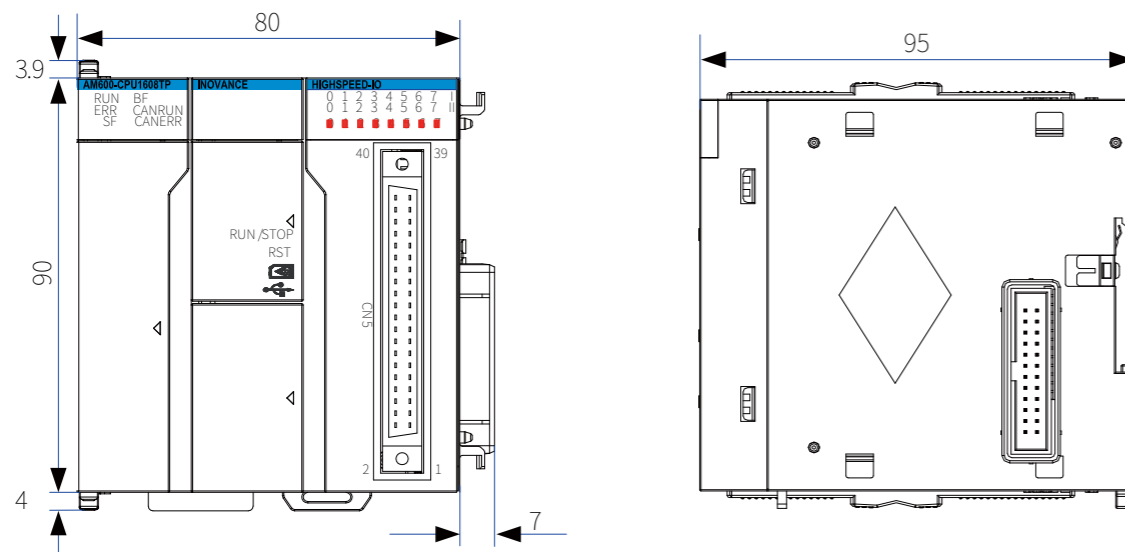
AM600 – CPU1608TP EtherCAT

Main features:

- 24 VDC voltage input
- SD memory card
- Built-in EtherCAT port
- Two RS485 interfaces, supporting Modbus protocol
- CANopen slave protocol
- MODBUS TCP master/slave
- 16-point high-speed input
- 8-point high-speed output
- 4 Mbytes user program storage
- Standard Ethernet cable for programming
- Programming software tools: InoProShop
- Physical dimensions: W x H x D = 80 x 90 x 95 mm
- CANlink
- Ethernet/IP scanner/adaptor

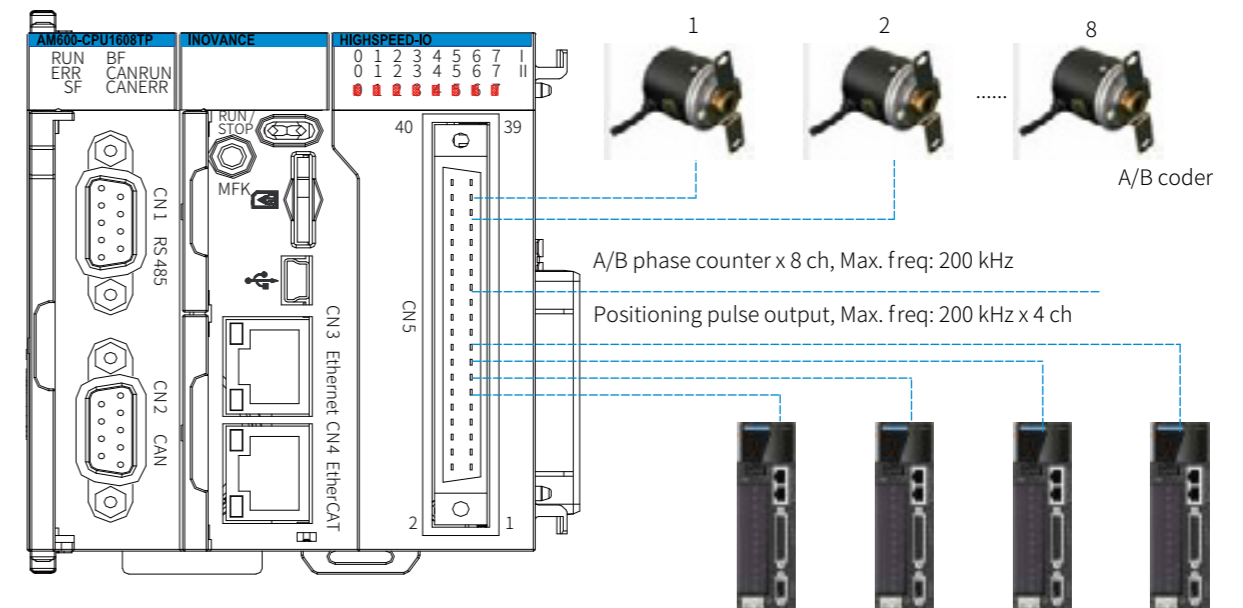


Dimensions:



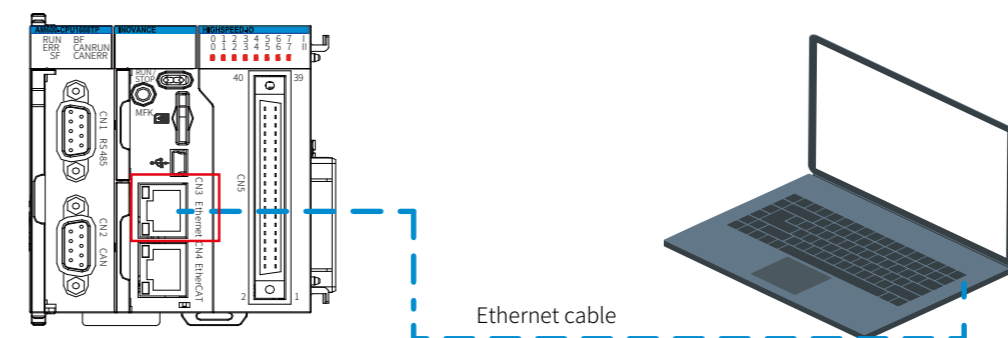
AM600 CPU module is equipped with:

- 8-channel A/B phase pulse counter; each channel offers a maximum of 200 kHz
- Pulse frequency/width measure, $\pm 2 \mu\text{s}$ accuracy
- Ethernet communication cable for commissioning and service



Monitoring via Ethernet connection

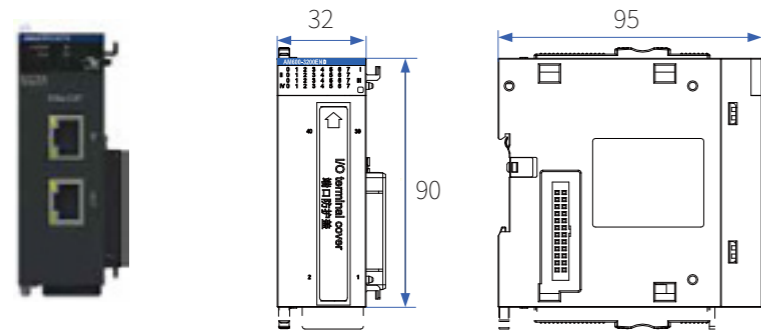
- Network diagram: The Ethernet interface of the CPU module can perform point-to-point connections to computers, HMIs and equivalent devices via an Ethernet connection



AM600 EtherCAT bus coupler slave module (GL10-RTU-ECTA-INT)

- EtherCAT bus slave coupler extension (requires an AM600 master system)
- Up to 16 DI/DO modules or up to eight AI/AO modules can be added for each RTU-ECTA
- Supported services: CoE (PDO, SDO)
- Baud rate: 100 Mbit/s (100 Base-TX)
- Up to 125 modules can be added

Dimensions:



AM600 system (master)



Power supply module (GL10 PS2 INT) (2)
+
EtherCAT bus coupler slave module
(GL10 RTU ECTA INT) (1)
+
Local extension modules
(GL10 YYYY INT) (3)

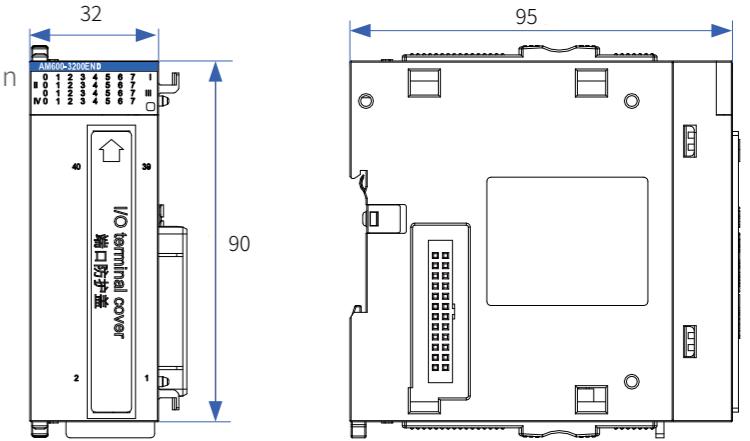
Up to 125 modules



② ① ③ CE

Local extension modules (GL10 modules)

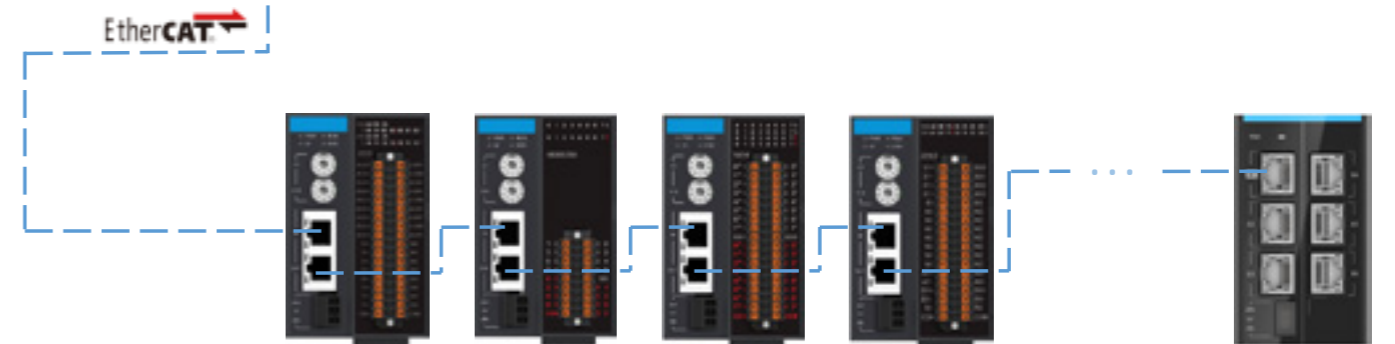
- AM600 extension modules are compact (32 mm thick) and can be added to the main CPU or to an EtherCAT Slave Bus Coupler
- Many different extension modules can be added (e.g. DIs, DOs, AIs, AOs, relays, temperature detectors)
- Physical dimensions:
W x H x D = 32 x 90 x 95 mm



EtherCAT remote slave modules (GR10 modules)

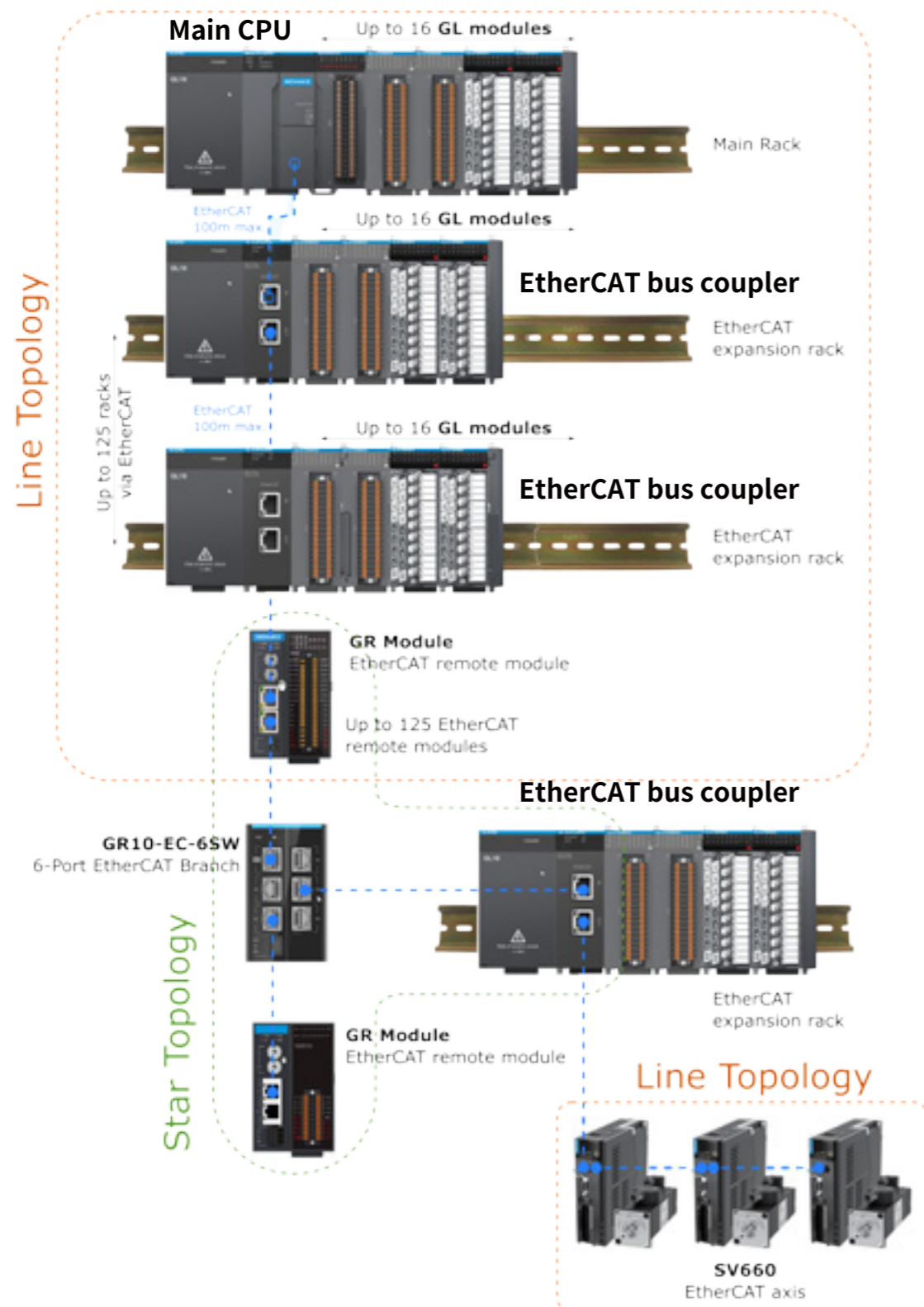
- Up to 125 slave modules can be connected
- Supported services: CoE (PDO, SDO)
- Baud rate: 100 Mbit/s (100 Base-TX)
- Requires an external 24 VDC power supply

AM600 system (master)

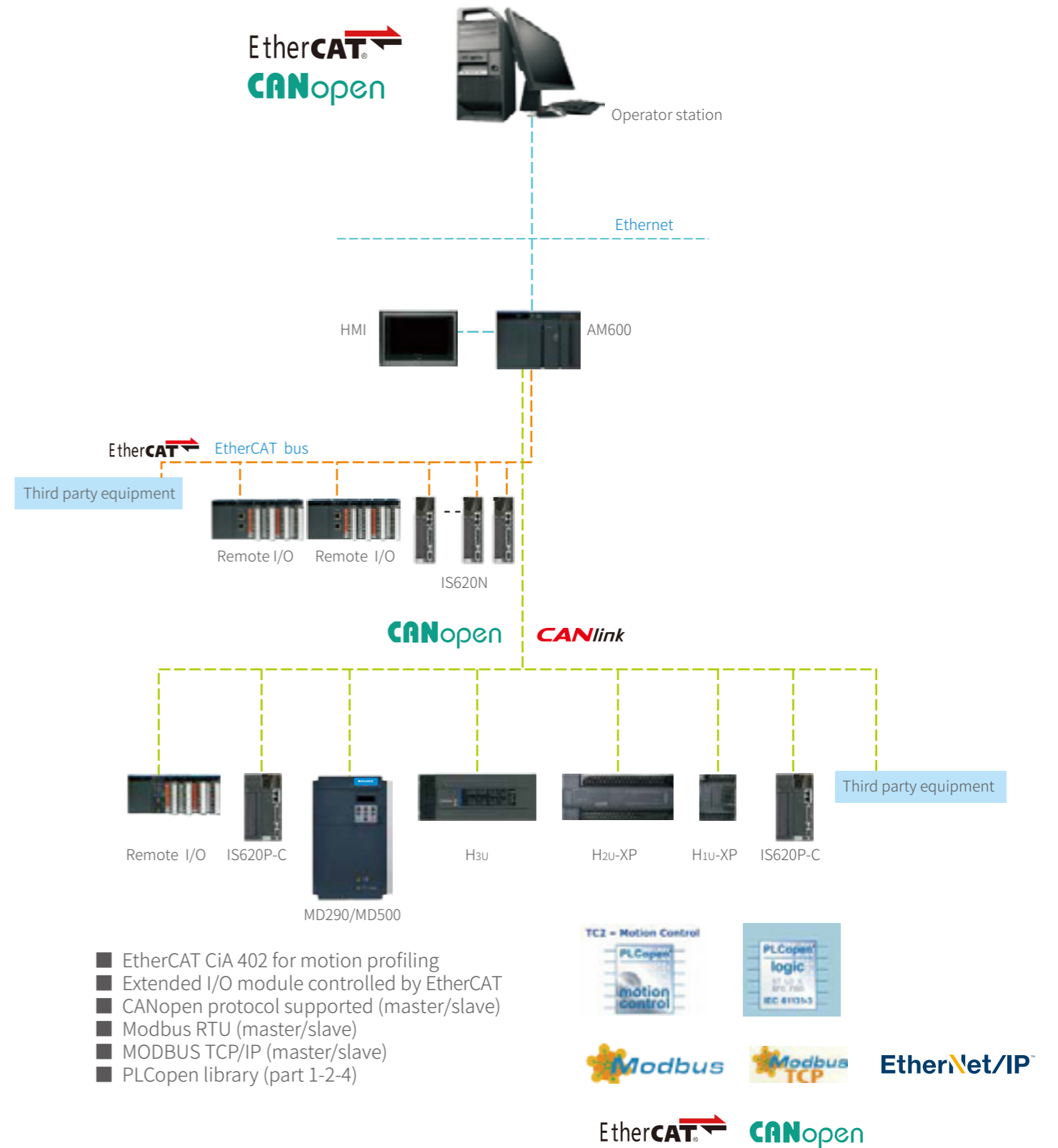


Up to 125 EtherCAT remote modules (slave)

EtherCAT network topology



AM600 motion controller framework overview



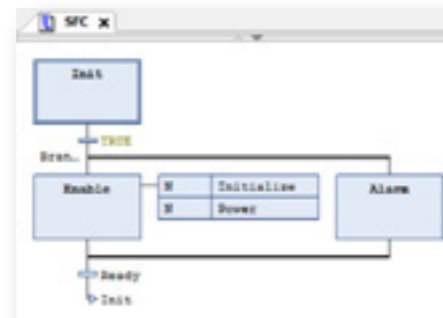
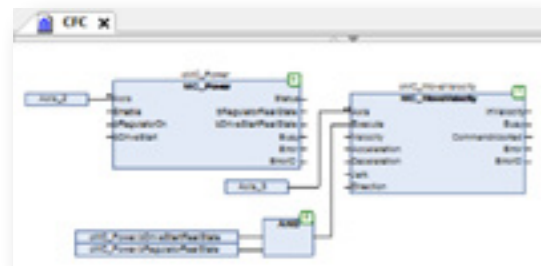
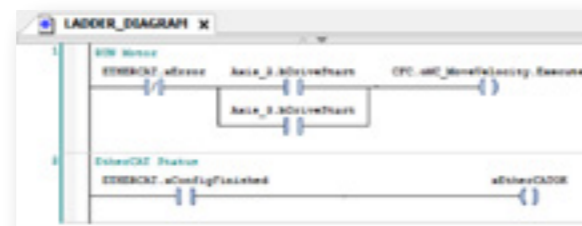
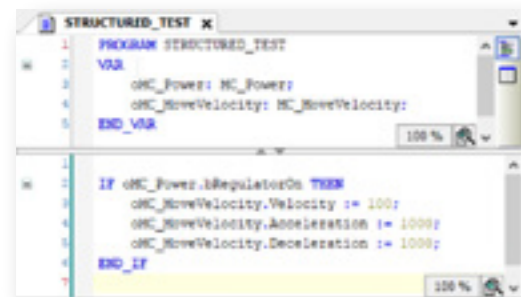
AM600 software overview

InoProShop software

- CAM tools as standard
- Scope tracing for monitoring and commissioning
- IEC 61131-3 standard programming languages for industrial applications
- Multi-task functionality

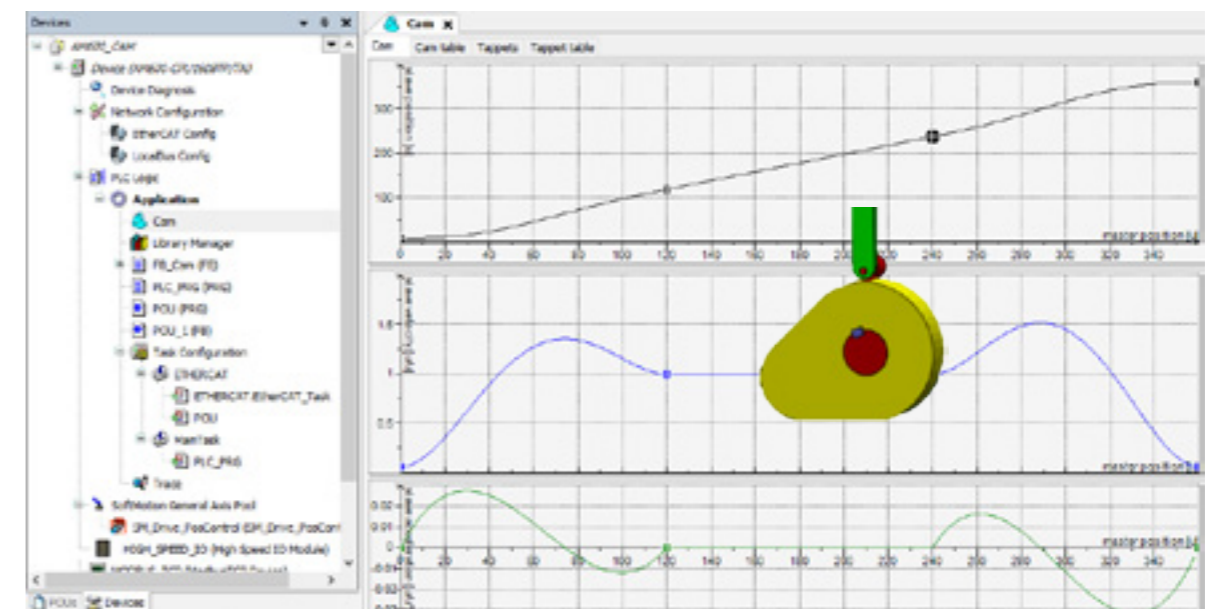
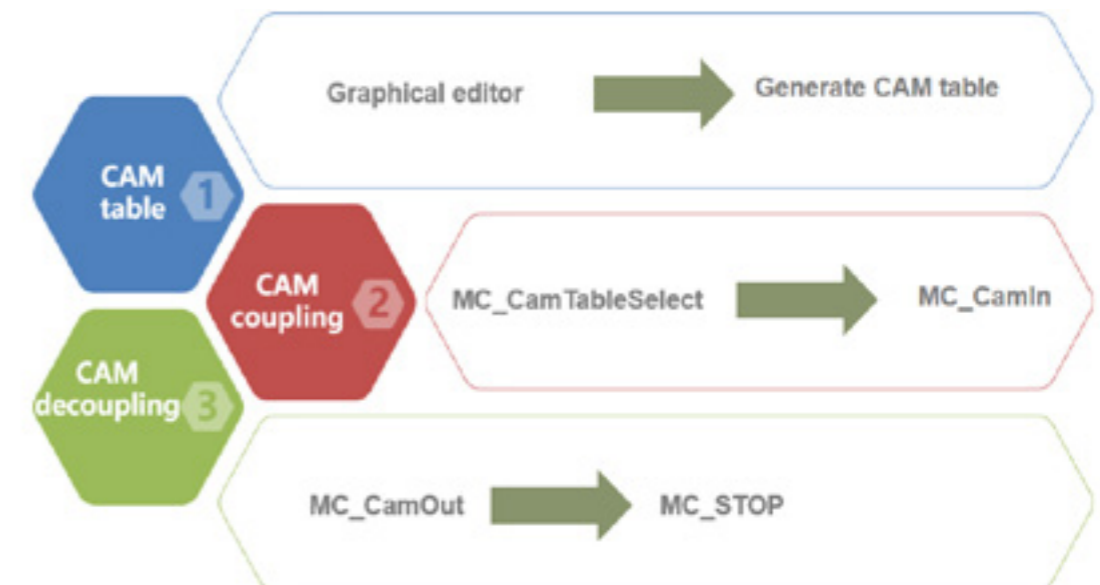
IEC 61131-3 standard – languages supported by InoProShop platform

- Structured Text (ST)
- Ladder Diagram (LD)
- Sequential Function Control (SFC)
- Continuous Function Chart (CFC)



CAM setting

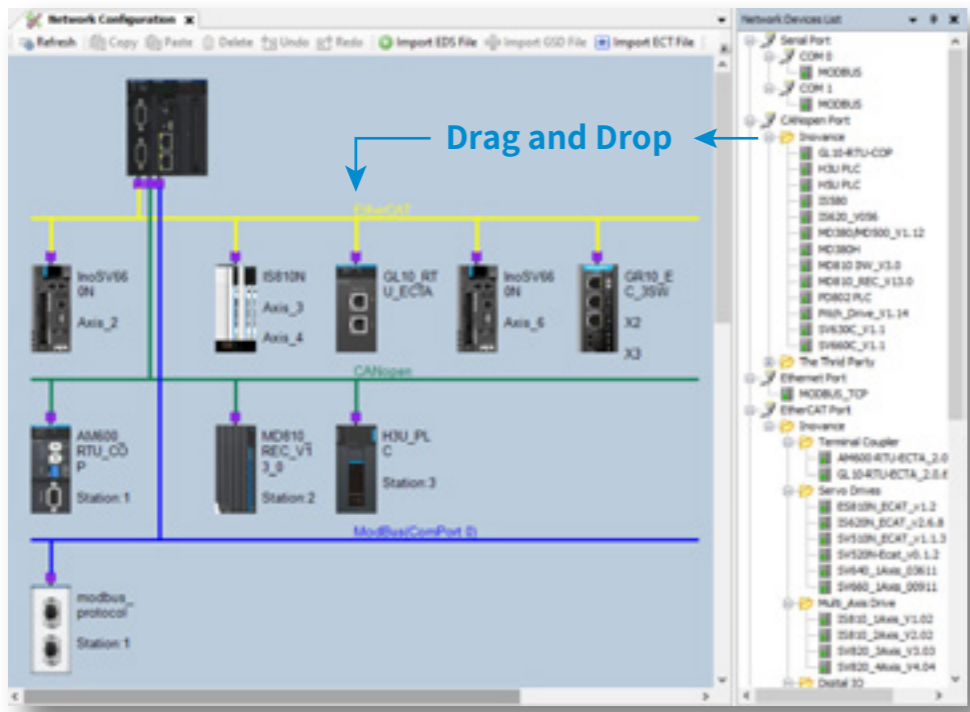
- CAM table can be easily configured by using the graphical editor included in InoProShop PC software
- Linear or polynomial interpolation (5th order polynomial)
- Supports up to 65535 CAM points



AM600 software overview

Network configuration

- EtherCAT easy axes configuration
- Diagram view of EtherCAT communications system
- Overview of all axes parameters by EtherCAT protocol

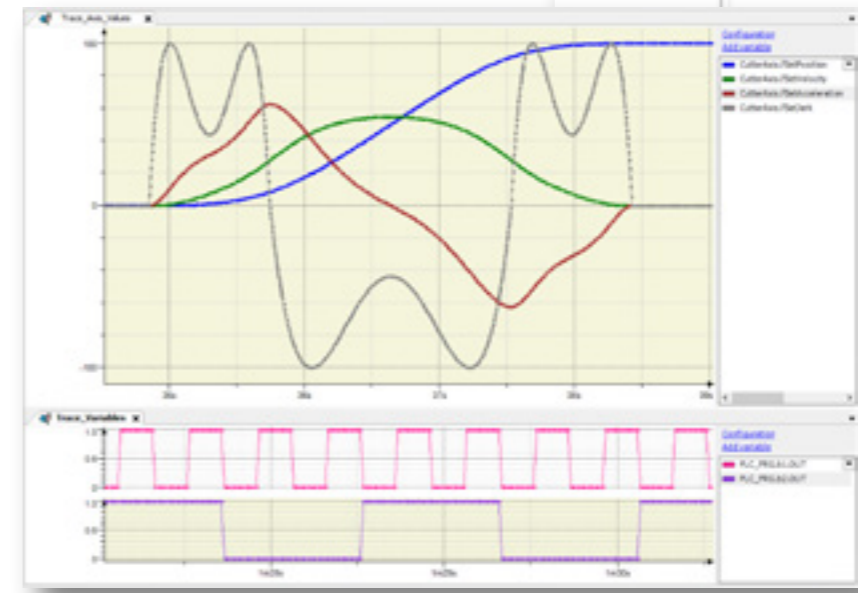


Axis commissioning and status

Axis status monitoring (for example, by position, velocity, or error information), allows intuitive axis configuration and enables online monitoring of program and axis variables via graphical curves

Axes parameters

FunCode	Name	Current Value	Write	Default Value	Range
H00	Gain Parameters				
H00-00	Speed loop gain	400	400	1-20000	
H00-01	Speed loop integral time constant	20.40	1000	10-51200	
H00-02	Position loop gain	362	640	1-20000	
H00-03	The second speed loop gain	750	750	1-20000	
H00-04	The second speed loop integral time constant	106.4	106.4	10-51200	
H00-05	The second position loop gain	1200	1200	1-20000	
H00-06	Second gain mode setting	1	1	0-1	
H00-09	Gain switchover condition	0	0	0-10	
H00-10	Gain switchover delay	30	30	0-10000	
H00-11	Gain switchover level	30	30	0-20000	
H00-12	Gain switchover hysteresis	30	30	0-20000	
H00-13	Position gain switchover time	30	30	0-10000	
H00-13	Average value of load inertia ratio	200	100	0-12000	
H00-17	Zero phase delay time	0	0	0-40	
H00-18	Speed feedforward filter time constant	30	30	0-6400	
H00-19	Speed feedforward gain	0	0	0-1000	
H00-20	Torque feedforward filter time constant	30	30	0-6400	
H00-21	Torque feedforward gain	0	0	0-3000	
H00-22	Speed feedback filter	0	0	0-4	



Model number	Item Code	CE	Description
CPU's			
AM401-CPU1608TP-INT	01440170	Yes	16 x high-speed inputs, 8 x high-speed outputs (source/PNP type, requires connector, see below FCN-40), 1 x RS485, 1 x CAN port, 1 x EtherCAT port, 1 x Ethernet port, 1 x USB, supports 4 axes control
AM402-CPU1608TP-INT	01440166	Yes	16 x high-speed inputs, 8 x high-speed outputs (source/PNP type, requires connector, see below FCN-40), 1 x RS485, 1 x CAN port, 1 x EtherCAT port, 1 x Ethernet port, 1 x USB, supports 8 axes control
AM600-CPU1608TP-INT	01440168	Yes	16 x high-speed inputs, 8 x high-speed outputs (source/PNP type, requires connector, see below FCN-40), 2 x RS485, 1 x CAN port, 1 x EtherCAT port, 1 x Ethernet port, 1 x USB, supports 32 axes control
AM401-CPU1608TN	01440032	Yes	16 x high-speed inputs, 8 x high-speed outputs (sink/NPN type, pluggable spring clamp), 1 x RS485, 1 x CAN port, 1 x EtherCAT port, 1 x Ethernet port, 1 x USB, supports 4 axes control
AM402-CPU1608TN	01440031	Yes	16 x high-speed inputs, 8 x high-speed outputs (sink/NPN type, pluggable spring clamp), 1 x RS485, 1 x CAN port, 1 x EtherCAT port, 1 x Ethernet port, 1 x USB, supports 8 axes control
AM403-CPU1608TN	01440126	Yes	16 x high-speed inputs, 8 x high-speed outputs (sink/NPN type, pluggable spring clamp), 1 x RS485, 1 x CAN port, 1 x EtherCAT port, 1 x Ethernet port, 1 x USB, supports 16 axes control
AM600-CPU1608TN	01440064	Yes	16 x high-speed inputs, 8 x high-speed outputs (sink/NPN type, pluggable spring clamp), 2 x RS485, 1 x CAN port, 1 x EtherCAT port, 1 x Ethernet port, 1 x USB, supports 32 axes control
POWER SUPPLY UNIT			
GL10-PS2-INT	01440196	Yes	Power supply module, input: 220 VAC, output: 2 A/ 24 VDC
DIGITAL INPUT MODULES			
GL10-1600END-INT	01440198	Yes	16 x source (PNP)/sink (NPN) digital inputs module, screw terminals
GL10-3200END-INT	01440216	Yes	32 x source/sink digital inputs module, pluggable spring clamp
DIGITAL OUTPUT MODULES			
GL10-0016ER-INT	01440193	Yes	16 x relay outputs module
GL10-0016ETP-INT	01440199	Yes	16 x source/PNP transistor outputs module, screw terminals
GL10-0016ETN-INT	01440195	Yes	16 x sink/NPN transistor outputs module, screw terminals
GL10-0032ETN-INT	01440217	Yes	32 x sink/NPN transistor outputs module, pluggable spring clamp
ANALOG I/Os MODULES			
GL10-4AD-INT	01440197	Yes	4 x analog inputs module, screw terminals
GL10-4DA-INT	01440192	Yes	4 x analog outputs module, screw terminals
TEMPERATURE DETECTION MODULES			
GL10-4PT-INT	01440258	Yes	4 x channel thermal resistance inputs temperature detection module, screw terminals
GL10-4TC-INT	01440263	Yes	4 x channel thermocouple inputs temperature detection module, screw terminals
GL10-8TC-INT	01440261	Yes	8 x channel thermocouple inputs temperature detection module, screw terminals
EtherCAT COUPLER			
GL10-RTU-ECTA-INT	01440194	Yes	EtherCAT (auto scan) communication module, RJ45 LAN port
CANopen COUPLER			
GL10-RTU-COP-INT	01440251	Yes	CANopen communication module, DB9 female
REMOTE MODULES (EtherCAT SLAVE)			
GR10-2HCE-INT	01440206	Yes	Series programmable controller 2 channel ABZ high speed count EtherCAT slave station module, pluggable spring clamp
GR10-0808ETNE-INT	01440249	Yes	8 x digital inputs and 8 x transistor outputs EtherCAT slave station module, pluggable spring clamp
GR10-1616ETNE-INT	01440079	Yes	16 x digital inputs and 16 x transistor outputs EtherCAT slave station module, pluggable spring clamp
GR10-2PHE-INT	01440256	Yes	2 x channel high-speed difference pulse output EtherCAT slave station module, pluggable spring clamp
GR10-4ADE-INT	01440254	Yes	4 x analog inputs EtherCAT slave station module, pluggable spring clamp
GR10-4DAE-INT	01440262	Yes	4 x analog outputs EtherCAT slave station module, pluggable spring clamp
GR10-4PME-INT	01440252	Yes	4 x channel positioning output EtherCAT slave station module, pluggable spring clamp
GR10-8PBE-INT	01440250	Yes	8 x channel capture probe EtherCAT slave station module, pluggable spring clamp
GR10-8TCE-INT	01440257	Yes	8 x channel thermocouple inputs EtherCAT slave station module, pluggable spring clamp
GR10-EC-6SW-INT	01440259	Yes	6 x channel EtherCAT branch module (1 EtherCAT input and 5 EtherCAT outputs), RJ45 LAN port
CONNECTION CABLES (For TP/TN type)			
H2U-USB-CAB	15041200	-	Connection of PC to controller, the connector on the cable is mini USB, length of 1.5 m
S6-L-T04-0.3	15040261	-	Ethernet cable, length of 0.3 M, speed of up to 100 Mbps, STP
S6-L-T04-3.0	15040262	-	Ethernet cable, length of 3 m, speed of up to 100 Mbps, STP
CONNECTION CABLES (Only for TP type)			
Only connector			
FCN-40	15050180	-	40PIN FCN connector (required for TP type)
Alternative with remote screw terminal block			
T024-K	15020452	-	40PIN MIL screw terminal block (required for TP type)
X210-5-0.5	15300119	-	AM600 I/O extension cable - 0.5 m length with 2 FCN connectors (required for TP type)
X210-5-2.0	15300193	-	AM600 I/O extension cable - 2.0 m length with 2 FCN connectors (required for TP type)

Driven by Technology

AC Drives



AC MultiDrives



MV Drives



Single-Axis Servos



Multi-Axes Servos



Robotics & Motion Controllers



PLCs & HMIs



CNC Machine Tool Solutions



Electric Vehicle Inverters



INOVANCE

Forward, Always Progressing

International Offices



Germany-Stuttgart

Tel: +49 (0) 7144 8990
sales.de@inovance.eu
www.inovance.eu



Italy-Milano

Tel: +39 (0) 2268 22318
sales.it@inovance.eu



France-Bordeaux

Tel: +33 (0) 5594 01050
sales.fr@inovance.eu



Turkey-Istanbul

Tel: +90 (0) 21 6706 1789
info.turkey@inova-automation.com



India

Head Office Chennai
Tel: +91 (0) 44 4380 0201
Ahmedabad
Tel: +91 (0) 79 4003 4274
Mumbai Tel: +91 (0) 22 4971 5883
Delhi Tel: +91 (0) 11 4165 4524
Sales Network in Kolkata, Bengaluru,
Coimbatore, Hyderabad, Pune
info.inovaindia@inova-automation.com



South Korea-Seoul

Tel: +82 (0) 10 7428 5732
info@inova-automation.com



Hong Kong SAR

Tel: +852 2751 6080
info@inova-automation.com

Inovance Technology Companies

Shenzhen Inovance Technology Co. Ltd.
Suzhou Inovance Technology Co. Ltd.

For other country distributors, contact the Hong Kong office.

INOVANCE

Forward, Always Progressing

Inovance Technology
www.inovance.eu

